
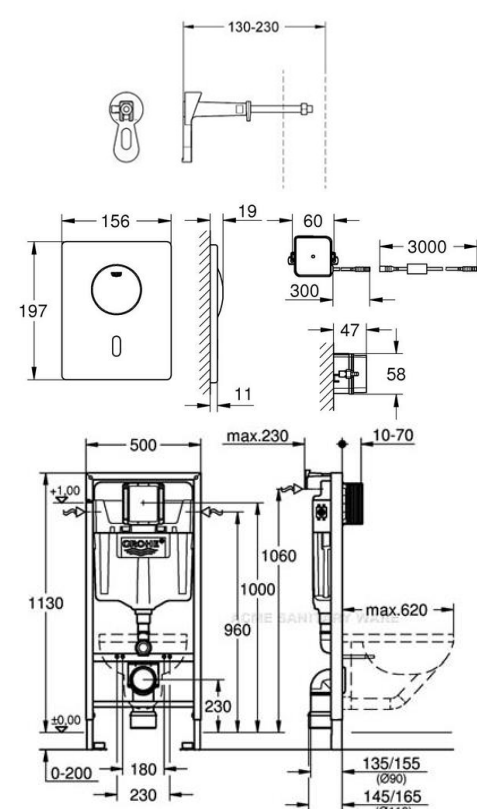




PROJECT		REF		REV	ITEM CODE	
LOCATION		DATE			PAGE	

SANITARY WARE SPECIFICATION SHEET

<p>Item Descriptions</p>	<p>GROHE (Germany) Infra-red electronic flushing control with manual actuation comprising with concealed flushing cistern with frame in AC Supply ; 3.1/4.6 LPF in WELS Grade 1; Registration No. WC 21-0128</p>	<p style="text-align: center;">Illustration/ Drawing</p> 
<p>Dimensions</p>	<p>W156 x H197 x D19 mm</p>	
<p>Model</p>	<p>37419SD0 (Actuator) 38528001 (Concealed cistern with frame) 3855800M (Wall brackets)</p>	
<p>Finish</p>	<p>Stainless Steel (Actuator)</p>	
<p>Manufacturer</p>	<p>GROHE Limited</p>	
<p>Supplier</p>	<p>Acme Sanitary Ware Co. Ltd Mr. Eric Wong/ Mr. Wilson Hung (852) 2388-7171 / (852) 2710-8012</p>	
<p>Contact Tel/Fax</p>	<p>(852) 2388-7171 / (852) 2710-8012</p>	
<p>E-mail</p>	<p>acme@acmesanitary.com.hk</p>	
<p>Website</p>	<p>www.acmesanitary.com.hk</p>	
<p>Tectron Skate Infra-red electronic for WC flushing cistern with additional manual actuation with infrared sensor for bi-directional communication for monitoring, configuration and service purpose with transformer 100-230 V AC, 50-60 Hz, 6 V DC for single flush actuation for flushing cistern GD 2 servo motor concealed installation front plate 156 x 197 mm hidden fixing screws 7 pre-set programs: auto flush cleaning mode pre-flush on/off additional functions and precise settings by remote control 36 407 adjustable flush (3 - 9 l) by hand and remote CE approved</p>	<p>quick adjustment, lockable fixing material TÜV approved; 2 WC fixing bolts fixing device for ceramic WC ceramics with small bearing area (less than 205 mm) require additional accessory 38 779 000 distance of fixing bolts 180/230 mm outlet bend Ø 90 mm depth adjustable reducer Ø 90/110 mm inlet and outlet connecting set flushing cistern GD 2, 6 - 9 l adjustment ex factory 6 l and 3 l pneumatic discharge valve offering 3 modes of operation: dual flush or start/stop or single flush water supply from left/right or back low noise (group I acc. to German Noise Specification) insulated against condensation ½" water supply connection including integrated angle valve and push fit flexible hose union no tools required for the installation of the inspection shaft including protection during construction phase for vertical or horizontal use without accessories for on-the-wall installation</p>	
<p>Rapid SL for WC flushing cistern GD 2 1.13 m installation height for on-the-wall installations or studded walls powder coated steel frame, self-supporting for dry-cladding, completely pre-assembled with fixed connections</p>	<p>for mounting of small flush plates please order revision shaft 40 911 000 (sold separately)</p>	

Note:

* All information of the above is for the reference only. No prior notice is made if any changes.



自願參與用水效益標籤計劃 - 水廁
Voluntary Water Efficiency Labelling Scheme - Water Closets




註冊證書

茲證明

This is to certify that

將下列水廁在本計劃內註冊：
has registered the following water closet under this scheme :

牌 子 / Brand : Grohe
型 號 / Model : 38528001 + 37419XXX + 42320000
種 類 / Category : Water Closet Cistern
原 產 地 / Country or Region Origin : Germany (WC Cistern & Flushing Valve)
XXX – denotes the code of colour

在用水效益標籤上展示的標誌
Symbolic Presentation on the Water Efficiency Label :  滴水點 *Water droplet(s)*
用水效益級別
Water Efficiency Grade : 1
全沖水量
Water Flush Volume (Full) : 4.6 公升/沖廁 *litres/flush*
低沖水量
Water Flush Volume (Reduced) : 3.1 公升/沖廁 *litres/flush*

簽發日期:
Date of Issue: 22 March 2021

 水務署
Water Supplies Department



水務署署長(張業駒代行)
for Director of Water Supplies

* 上述水廁具額外節水功能，即：重用洗盥水作沖廁用途。
The above water closet is equipped with additional water saving feature, that is: re-use the water collected from wash basin for flushing purpose.



PROJECT		REF		REV	ITEM CODE	
LOCATION		DATE			PAGE	

SANITARY WARE SPECIFICATION SHEET

Item Descriptions	GROHE (Germany) Plastic single top push flush valve	Illustration/ Drawing
Model	42320000	
Material	Plastic	
Manufacturer	GROHE Limited	
Source	Acme Sanitary Ware Co. Ltd Mr. Eric Wong/ Mr. Don Yuen	
Contact Tel/Fax	(852) 2388-7171 / (852) 2710-8012	
E-mail	acme@acmesanitary.com.hk	
Website	www.acmesanitary.com.hk	

Note:

* All information of the above is for the reference only. No prior notice is made if any changes.



水務署
Water Supplies Department



Quarters
道七號入境事務大樓 48 樓
Tower, 7 Gloucester Road, Wan Chai, Hong Kong

本署檔號
Our ref.
來函檔號
Your ref.

21/2024 T/J(133/2024)

電話 :
Tel. :
傳真 : 2824 0578
Fax. :

27 February 2024



**Approval of “GROHE” Flush Valve
(General Acceptance No. C20240141F)**

Your E-Application [file-id: ETJ-GA-20240206-3] dated 6 February 2024 refers.

Having considered the test report ref. J29467 issued on 4 January 2024 by Nutek Systems (HK) Limited; this Authority accepts that the fitting described below complies with, and its use when correctly installed does not contravene, the Waterworks Ordinance and Regulations.

Name of Manufacturer: Grohe AG
Country of Origin: Germany
Brand: Grohe
Details of Fitting: 37mm Plastic dual flush valve
Model: 42320000
Body Markings: 
Expiry Date: 19 December 2028



Proviso: As the fitting has not been tested for use in contact with water intended for human consumption, the fitting can only be used in flushing water plumbing system.

This Authority hereby permits the use of the above fitting in flushing water plumbing systems subject to full adherence to Waterworks installation requirements. In particular, you are required to draw your customers' attention to the following requirement-

"The flushing volume of the flushing valve should be adjusted to suit the design of the toilet bowl so that wastes can be cleared effectively by a single flush."

"The fitting should be used within the range of working pressures specified by the manufacturer." AND

"The installed fitting should not result in backflow of water that will contaminate the flushing water supply."

A condition of this acceptance is that the fitting to be installed shall be replicas of the sample as certified by the testing agent mentioned above and without modifications. This acceptance may be withdrawn at any time if the standard of the fitting installed fails to meet that of the approved sample or if the fitting is found to be unsuitable for use in flushing water plumbing systems.

For the use of the fitting in any project, the General Acceptance Number of this letter must be quoted as a means of identification of acceptance of the fitting by this Authority.

Should you have any enquiries, please contact our Engineer Mr Albert CHOW at tel. no. 3583 4086.

Yours faithfully,



(Terry KUNG)

for Director of Water Supplies

Encl.

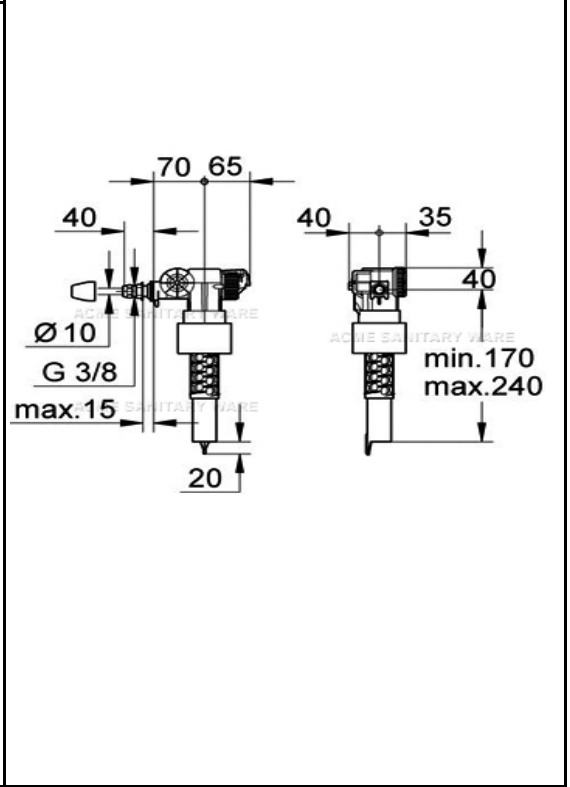
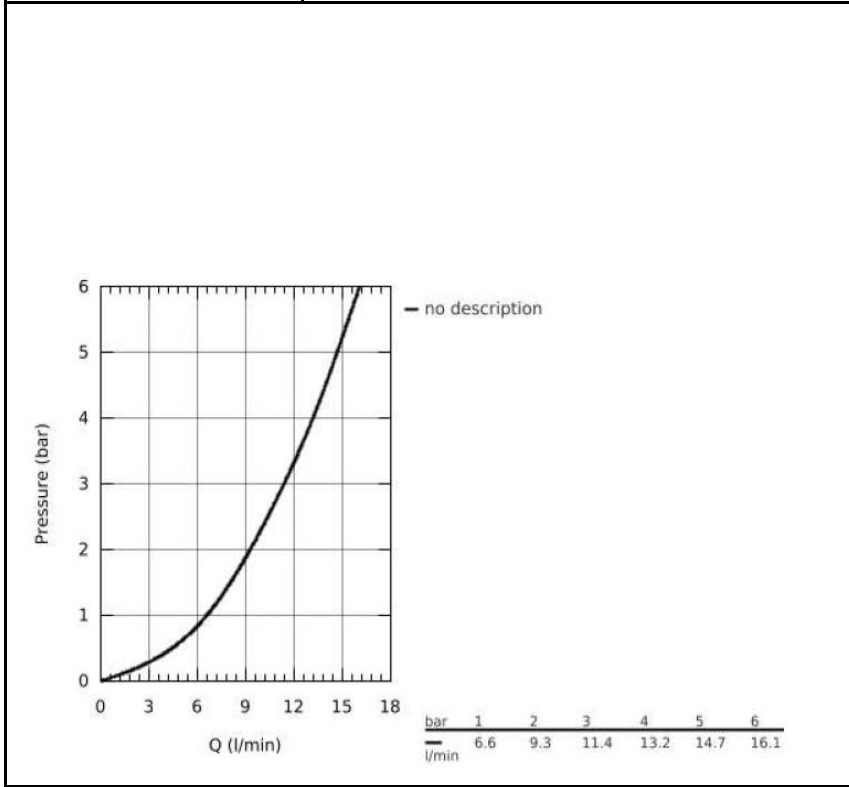
c.c. WSD 3321/1/82] - without catalogue
ME/MC] - with soft copy only



PROJECT		REF		REV	ITEM CODE	
LOCATION		DATE			PAGE	

SANITARY WARE SPECIFICATION SHEET

Item Descriptions	GROHE (Germany) Plastic inlet valve	Illustration/ Drawing
Model	37095000	
Material	Plastic	
Manufacturer	GROHE (Germany)	
Source	Acme Sanitary Ware Co. Ltd Mr. Eric Wong/ Mr. Wilson Hung	
Contact Tel/Fax	(852) 2388-7171 / (852) 2710-8012	
E-mail	acme@acmesanitary.com.hk	
Website	www.acmesanitary.com.hk	



Note:

* All information of the above is for the reference only. No prior notice is made if any changes.



水務署
Water Supplies Department

總部 Headquarters

香港灣仔告士打道七號入境事務大樓 48 樓

7 Gloucester Road, Wan Chai, Hong Kong



本署檔
Our ref.
來函檔號
Your ref.

WRC/2020 T/J(1065/2020)

電話
Tel. :
傳真
Fax. : 2824 0578

6 October 2020



**Approval of "GROHE" Float Operated Valve
(General Acceptance No. C20200864F)**

Your letter ref. WRC/2305 dated 13 August 2020 refers.

Having considered the test report ref. J24281 issued on 30 July 2020 by Nutek Systems (HK) Limited, this Authority accepts that the fitting described below complies with, and its use when correctly installed does not contravene, the Waterworks Ordinance and Regulations.

Name of Manufacturer: Grohe AG
Country of Origin: Germany
Brand: Grohe
Details of Fitting: 3/8" Plastic float operated valve
Model: 37095000
Body Markings: 
Expiry Date: 2 June 2025



Proviso: As the fitting has not been tested for use in contact with water intended for human consumption, the fitting can only be used in flushing water plumbing system.

This Authority hereby permits the use of the above fitting in flushing water plumbing systems subject to full adherence to Waterworks installation requirements. In particular, you are required to draw your customers' attention to the following requirement-

"The flushing volume of the flushing valve should be adjusted to suit the design of the toilet bowl so that wastes can be cleared effectively by a single flush."

"The fitting should be used within the range of working pressures specified by the manufacturer." AND

"The installed fitting should not result in backflow of water that will contaminate the flushing water supply."

A condition of this acceptance is that the fitting to be installed shall be replicas of the sample as certified by the testing agent mentioned above and without modifications. This acceptance may be withdrawn at any time if the standard of the fitting installed fails to meet that of the approved sample or if the fitting is found to be unsuitable for use in flushing water plumbing systems.

For the use of the fitting in any project, the General Acceptance Number of this letter must be quoted as a means of identification of acceptance of the fitting by this Authority.

Should you have any enquiries, please contact our Engineer Mr. Terry KUNG at tel. no. 3583 4086.

Yours faithfully,



(CHAN Chung-kun)

for Director of Water Supplies

Encl.

c.c. WSD 3321/1/82] - without catalogue
ME/MC] - with soft copy only